

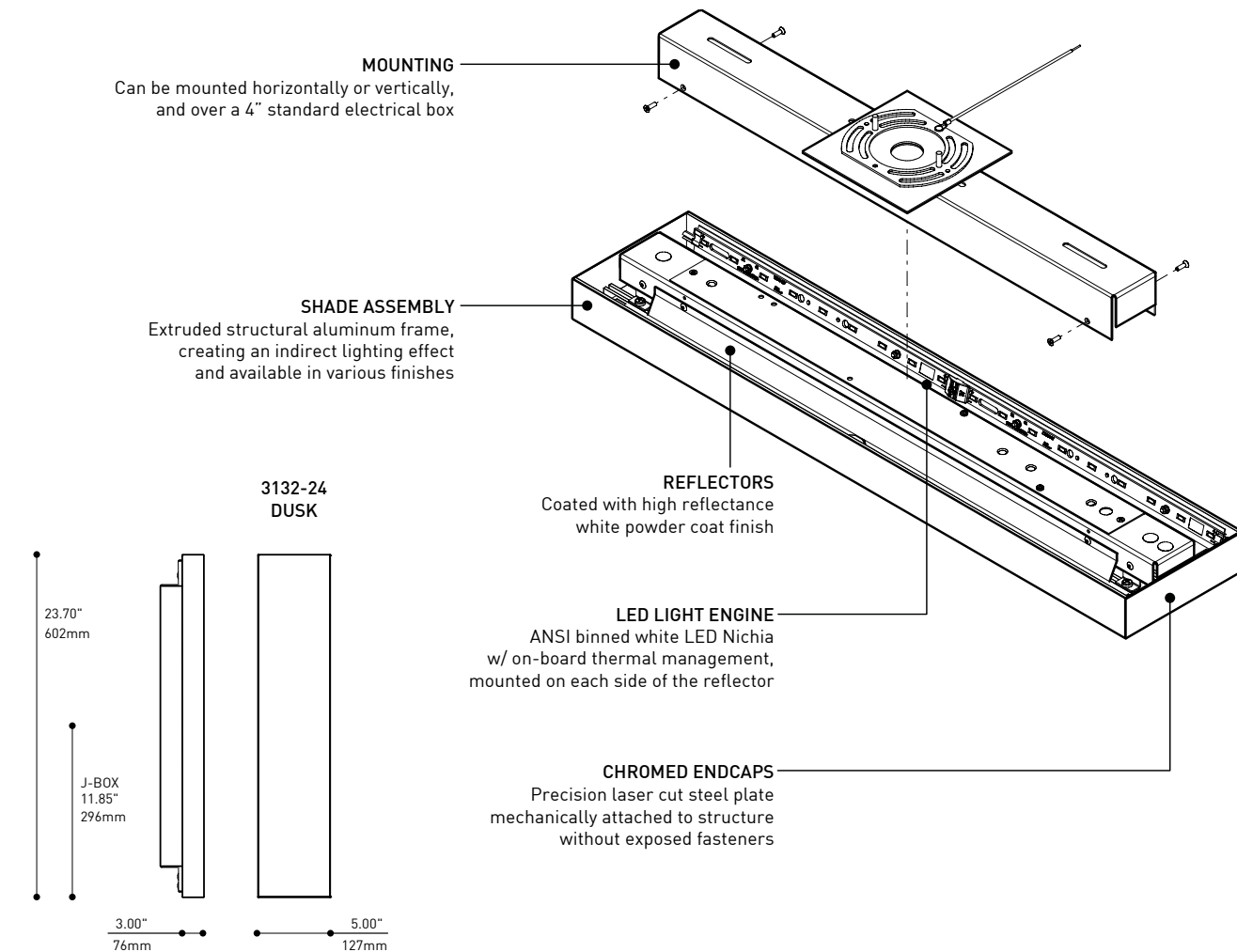
3132



74132







SPECIFICATIONS

LIGHT SOURCE
MODULE
LUMENS (DELIVERED)
SYSTEM WATTAGE
CCT / CRI
ROHS
THERMAL MANAGEMENT
LIGHT DISTRIBUTION
VOLTAGE
DIMMING
EMERGENCY
LM-79 / L70
HOUSING
SHADE
MOUNTING
ENDCAPS
WARRANTY

LED

48 x NICHIA LEDS

UL recognized - made in USA

1741 lm (REG) or 2540 lm (HO)

18W (REG), 28W (HO)

80 CRI (typical)

Compliant

Light Engine w/ on-board Thermal Management

Indirect - 120° Beam Angle

120V or 277V

Phase (DP) or 0-10V (DV) Dimming

N/A

On request / Estimated 50 000 hrs

Formed Cold Rolled steel finished in white polyester powder coat (0.048" nominal thickness)

Extruded aluminum frame available in White powder coat painted, in Metallic Gray painted, in Chrome plated or in Satin Aluminum

Formed Cold Rolled steel finished in white polyester powder coat (0.048" nominal thickness)

Precision laser cutting and Formed Cold rolled Steel (0.048" nominal thickness) w/ Chrome Plated Finish

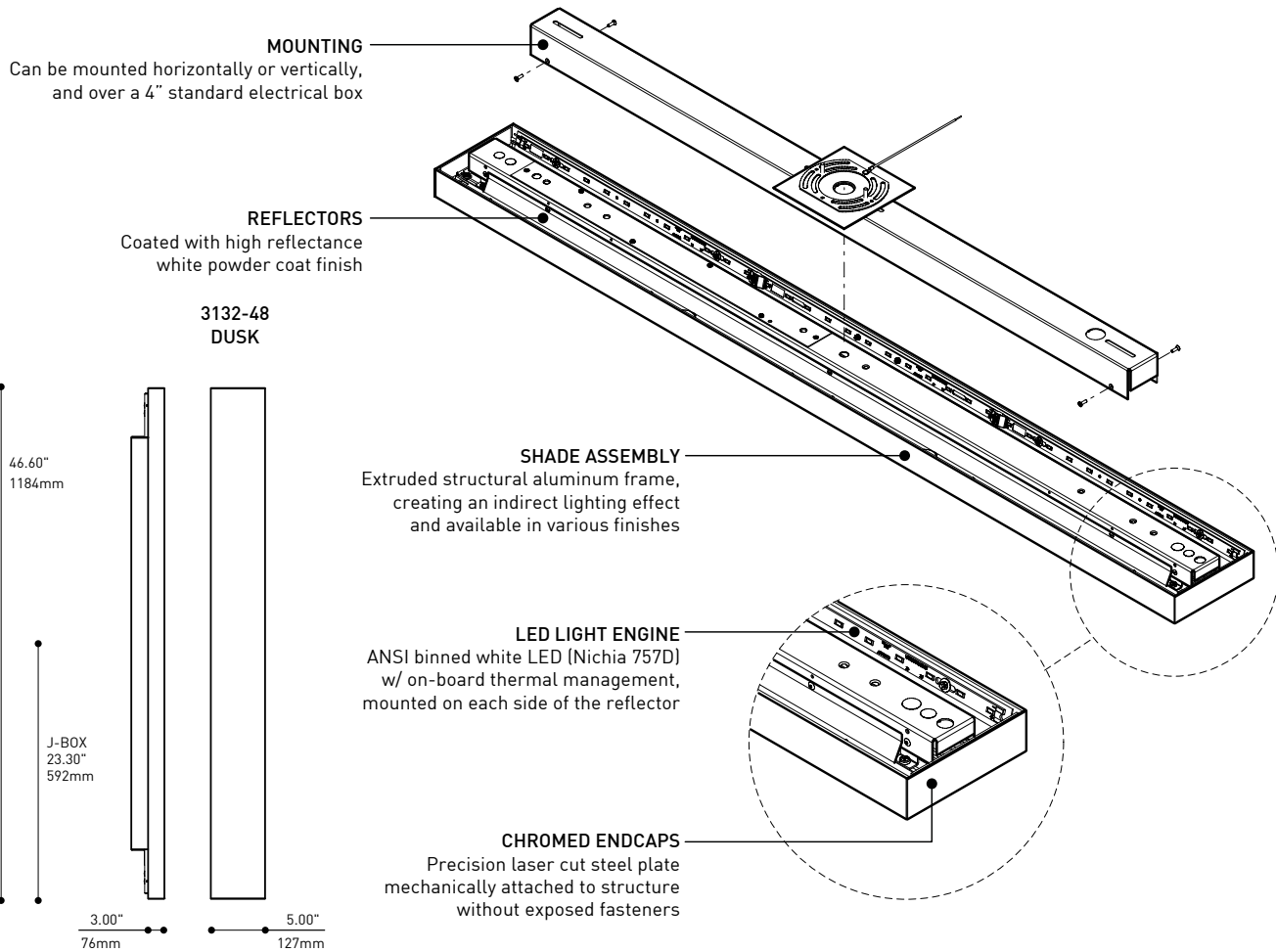
5 years

ADA

BIM

DIM

LED



SPECIFICATIONS

LIGHT SOURCE
MODULE
LUMENS (DELIVERED)
SYSTEM WATTAGE
CCT / CRI
ROHS
THERMAL MANAGEMENT
LIGHT DISTRIBUTION
VOLTAGE
DIMMING
EMERGENCY
LM-79 / L70
HOUSING
SHADE
MOUNTING
ENDCAPS
WARRANTY

LED

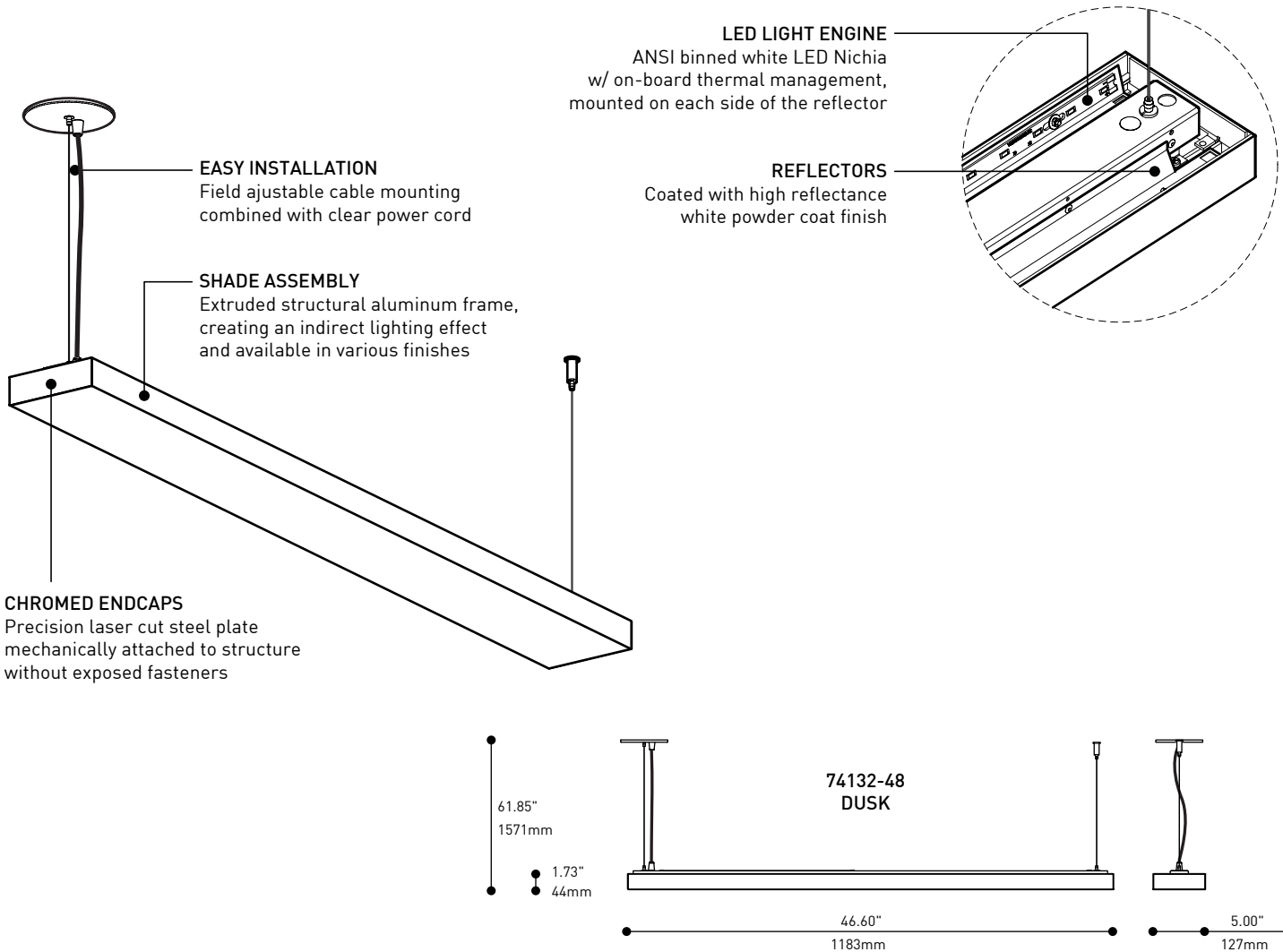
90 x NICHIA LEDS
 UL recognized - made in USA
 3292 lm (REG) or 4799 lm (HO)
 33W (REG), 51W (HO)
 80 CRI (typical)
 Compliant
 Light Engine w/ on-board Thermal Management
 Indirect - 120° Beam Angle
 120V or 277V
 Phase (DP) or 0-10V (DV) Dimming
 N/A
 On request / Estimated 50 000 hrs
 Formed Cold Rolled steel finished in white polyester powder coat (0.048" nominal thickness)
 Extruded aluminum frame available in White powder coat painted, in Metallic Gray painted, in Chrome plated or in Satin Aluminum
 Formed Cold Rolled steel finished in white polyester powder coat (0.048" nominal thickness)
 Precision laser cutting and Formed Cold rolled Steel (0.048" nominal thickness) w/ Chrome Plated Finish
 5 years

ADA

BIM

DIM

LED



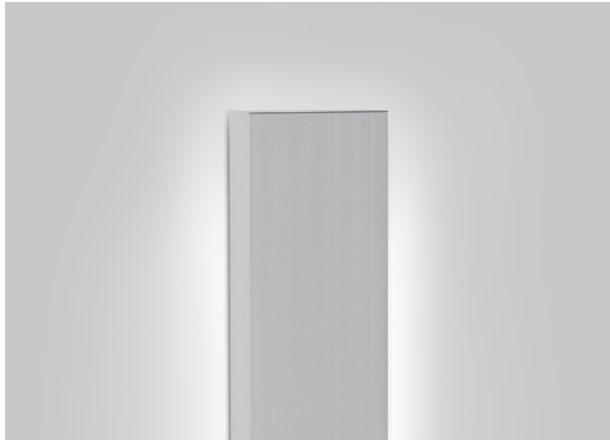
SPECIFICATIONS

LED

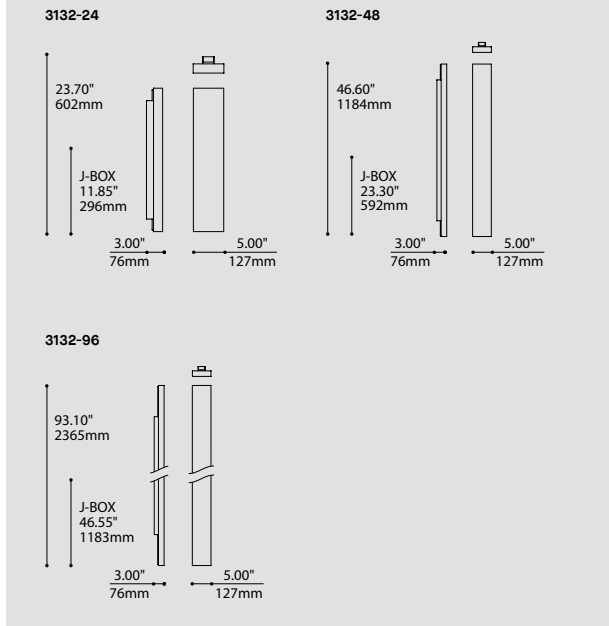
LIGHT SOURCE	90 x NICHIA LEDS
MODULE	UL recognized - made in USA
LUMENS (DELIVERED)	3292 lm (REG) or 4799 lm (HO)
SYSTEM WATTAGE	33W (REG), 51W (HO)
CCT / CRI	80 CRI (typical)
ROHS	Compliant
THERMAL MANAGEMENT	Light Engine w/ on-board Thermal Management
LIGHT DISTRIBUTION	Indirect - 120° Beam Angle
VOLTAGE	120V or 277V
DIMMING	Phase (DP) or 0-10V (DV) Dimming
EMERGENCY	N/A
LM-79 / L70	On request / Estimated 50 000 hrs
HOUSING	Formed Cold Rolled steel finished in white polyester powder coat (0.048" nominal thickness)
SHADE	Extruded aluminum frame available in White powder coat painted, in Metallic Gray painted, in Chrome plated or in Satin Aluminum
MOUNTING	Suspension round canopy in white polyester powder coat
ENDCAPS	Precision laser cutting and Formed Cold rolled Steel (0.048" nominal thickness) w/ Chrome Plated Finish
WARRANTY	5 years

DUSK 3132

PROJECT PROJET
SPEC TYPE
NOTES



OPTIONS



ORDERING SPECIFICATION	SPÉCIFICATION DE COMMANDE	CODE
MODEL MODÈLE		
3132-24	DUSK 24"	
3132-48	DUSK 48"	
3132-96	DUSK 96"	
LIGHT SOURCE SOURCE LUMINEUSE		
(WATTAGE, LAMP TYPE, LAMP FORM, BASE TYPE, OTHER INFO)		
LED	REGULAR OUTPUT	
LED.HO*	HIGH OUTPUT	
	*NOT AVAILABLE FOR 3132-96	
COLOR TEMPERATURE TEMPÉRATURE DE COULEUR		
30	3000K	
35	3500K	
40	4000K	
VOLTAGE VOLTAGE		
120V	120 VOLT	
277V	277 VOLT	
DIMMING OPTION OPTION DE GRADATION		
DV	0-10V DIMMING (120-277V)	
DP	PHASE DIMMING (120V ONLY)	
HOUSING FINISH FINI BOITIER		
WH	WHITE	
MG	METALLIC GRAY	
CHR*	CHROME (FOR 24" AND 48" ONLY)	
SAA*	SATIN ALUMINUM ANODIZED	
	*LONGER LEAD TIME	
END CAP FINISH FINI EMBOUT		CHR
CHR	CHROME	
ACCESSORY ACCESSOIRE		
3980	MINI JUNCTION BOX	

PRODUCT CHARACTERISTICS CARACTÉRISTIQUES DU PRODUIT



DESIGN:	An architectural staple with a flash of chrome has crisp profile that offers soft indirect light in 3 lengths.
LIGHT SOURCE:	LED light source with dimming.
HOUSING:	Structure in extruded aluminum & die-stamped steel. Housing with powder coat finish housing and chrome end caps.
REFLECTOR:	Highly reflective powder coated die-formed reflectors.
CERTIFIED:	c-CSA-us
CONCEPTION:	Élément architectural incontournable, ayant un profil angulaire avec une touche de chrome et offrant, en trois longueurs, un éclairage indirect doux.
SOURCE LUMINEUSE:	DEL avec ballasts à gradation.
BOITIER:	Acier embouti et aluminium extrudé. Boîtier avec peinture électrostatique et embouts chromés.
RÉFLECTEUR:	Acier découpé et plié avec peinture électrostatique très réfléchissante.
CERTIFIÉ:	c-CSA-us

DUSK 74132

PROJECT PROJÉT
SPEC TYPE
NOTES



OPTIONS

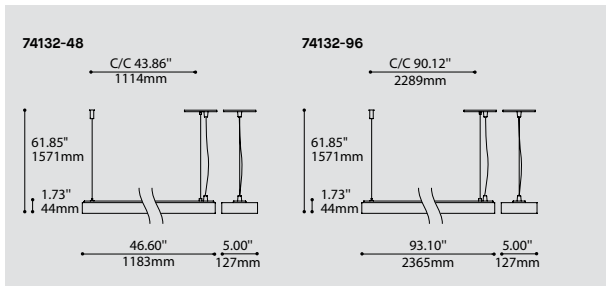


WH

M G

CHR*

SAA*



ORDERING SPECIFICATION SPÉCIFICATION DE COMMANDE		CODE
MODEL MODÈLE		74132
74132	DUSK	
LUMINAIRE LENGTH LONGUEUR DU LUMINAIRE		
48	48"	
96	96"	
LIGHT SOURCE SOURCE LUMINEUSE		
<small>(WATTAGE, LAMP TYPE, LAMP FORM, BASE TYPE, OTHER INFO)</small>		
LED	REGULAR OUTPUT	
LED.HO*	HIGH OUTPUT <small>*AVAILABLE FOR 48" ONLY</small>	
COLOR TEMPERATURE TEMPÉRATURE DE COULEUR		
30	3000K	
35	3500K	
40	4000K	
VOLTAGE VOLTAGE		
120V	120 VOLT	
277V	277 VOLT	
DIMMING OPTION OPTION DE GRADATION		
DV	0-10V DIMMING (120-277V)	
DP	PHASE DIMMING (120V ONLY)	
CABLE CABLE		AC
AC	AIRCRAFT MOUNTING & CLEAR CABLE, FIELD ADJUSTABLE	
CABLE LENGTH LONGUEUR DE CABLE		
60	60" AIRCRAFT CABLE (STD LENGTH)	
**	CUSTOM AIRCRAFT CABLE LENGTH (PLEASE SPECIFY) <small>FOR OVERALL LENGTH PLEASE CONTACT YOUR EUREKA REPRESENTATIVE.</small>	
HOUSING FINISH FINI BOITIER		
WH	WHITE	
M G	METALLIC GRAY (FOR 74132 ONLY)	
CHR*	CHROME (FOR 48" ONLY)	
SAA*	SATIN ALUMINUM ANODIZED <small>*LONGER LEAD TIME</small>	
END CAP FINISH FINI EMBOUT		CHR
CHR	CHROME	

PRODUCT CHARACTERISTICS CARACTÉRISTIQUES DU PRODUIT



DESIGN:	An architectural staple with a flash of chrome that offers soft indirect light in 2 lengths.
INSTALLATION:	Easy to install, adjust and level aircraft cable mounting.
LIGHT SOURCE:	LED with dimming.
HOUSING:	Housing in extruded aluminum & die-stamped steel. Polyester powder housing and chrome end caps.
REFLECTOR:	Highly reflective powder coated die-formed steel reflectors.
CERTIFIED:	c-CSA-us

Photometric Report

3132-24 -LED REG CHR-WH

CCT (K): 3500
Delivered Lumens (lm): 1741
System wattage (W)*: 17W
Distribution: Indirect
Delivered Efficacy (lm/W): 102
Photometric type: C

Luminous dimensions

Luminous shape: Rectangle
Units: in (mm)
0-180 Axis: 24 (609.6)
90-270 Axis: 4.8 (121.92)
Height: 1.2 (30.48)

*System wattage include driver and LED module consumption

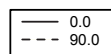
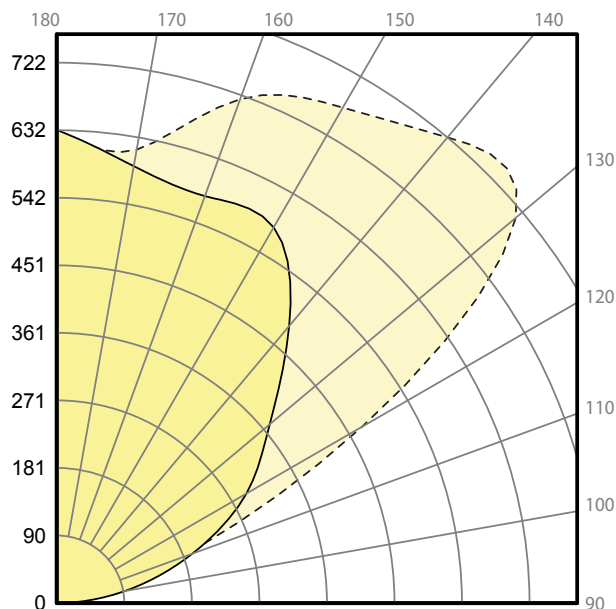
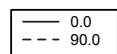
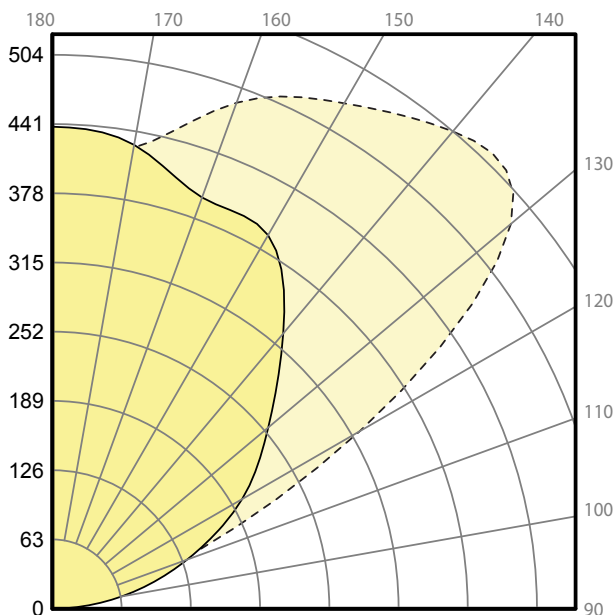
3132-24 -LED HO CHR-WH

CCT (K): 3500
Delivered Lumens (lm): 2540
System wattage (W)*: 27W
Distribution: Indirect
Delivered Efficacy (lm/W): 82
Photometric type: C

Luminous dimensions

Luminous shape: Rectangle
Units: in (mm)
0-180 Axis: 24 (609.6)
90-270 Axis: 4.8 (121.92)
Height: 1.2 (30.48)

*System wattage include driver and LED module consumption



Photometric Report

x132-48 -LED REG CHR-WH

CCT (K): 3500
Delivered Lumens (lm): 3292
System wattage (W)*: 32W
Distribution: Indirect
Delivered Efficacy (lm/W): 102
Photometric type: C

Luminous dimensions

Luminous shape: Rectangle
Units: in (mm)
0-180 Axis: 46.8(1188.72)
90-270 Axis: 4.8 (121.92)
Height: 1.2 (30.48)

*System wattage include driver and LED module consumption

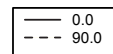
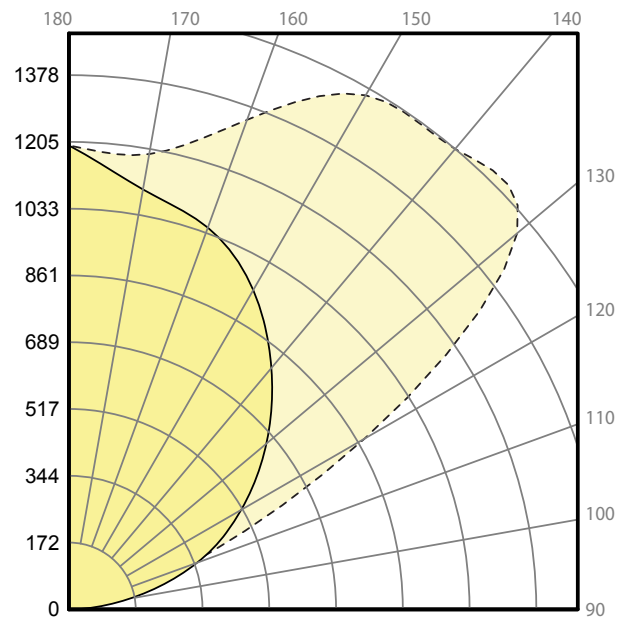
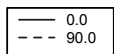
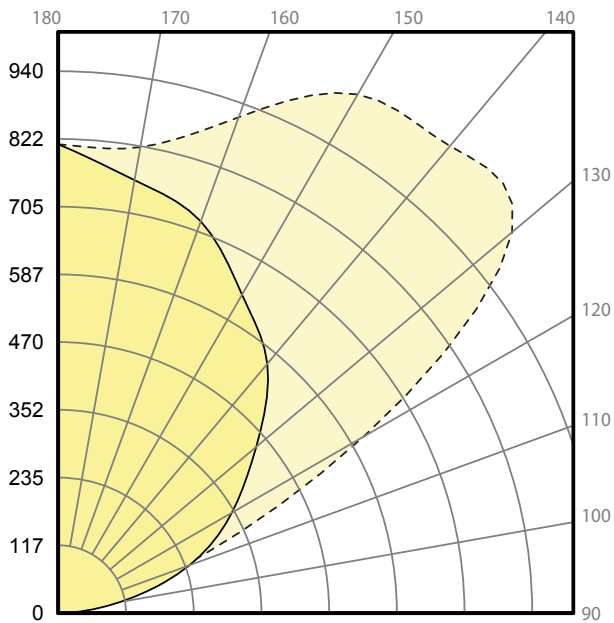
x132-48 -LED HO CHR-WH

CCT (K): 3500
Delivered Lumens (lm): 4799
System wattage (W)*: 50W
Distribution: Indirect
Delivered Efficacy (lm/W): 94
Photometric type: C

Luminous dimensions

Luminous shape: Rectangle
Units: in (mm)
0-180 Axis: 46.8(1188.72)
90-270 Axis: 4.8 (121.92)
Height: 1.2 (30.48)

*System wattage include driver and LED module consumption



Photometric Report

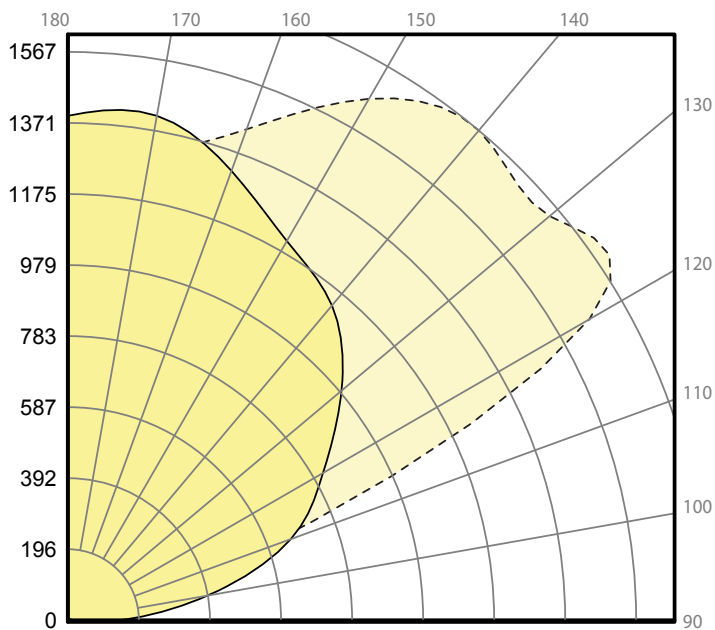
X132-96 -LED REG CHR-WH

CCT (K):	3500
Delivered Lumens (lm):	6623
System wattage (W)*:	63W
Distribution:	Indirect
Delivered Efficacy (lm/W):	105
Photometric type:	C

Luminous dimensions

Luminous shape:	Rectangle
Units:	in (mm)
0-180 Axis:	93.6(2377.44)
90-270 Axis:	4.8 (121.92)
Height:	1.2 (30.48)

*System wattage include driver and LED module consumption



—	0.0
- - -	90.0

